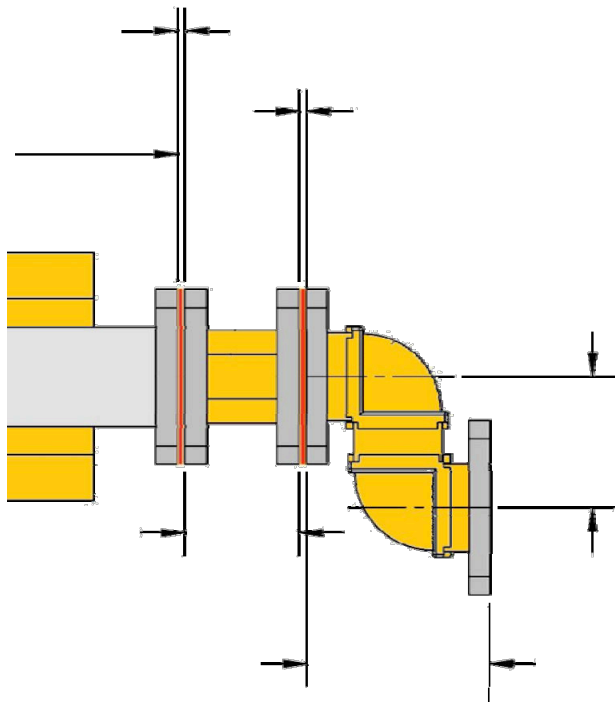
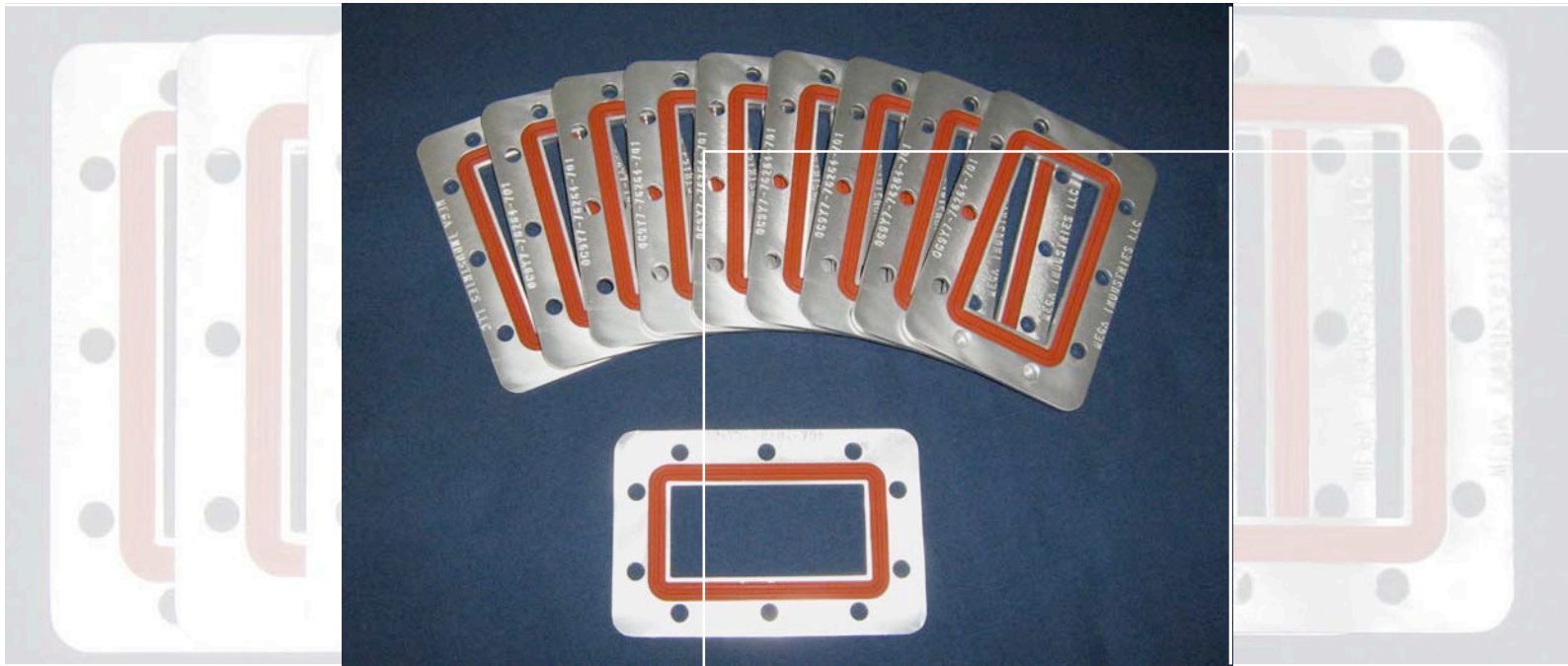


MEGASEAL Waveguide Seals



MEGASEAL

Simplify Layout

Pressure Tight Eliminate Flange

Orientation Make Waveguide More

Reusable Improved Sealing

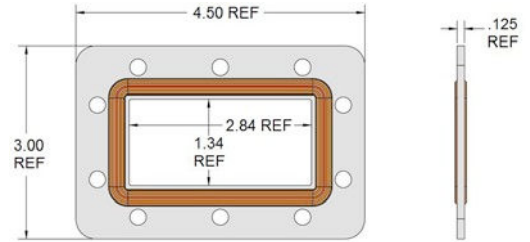
Reliability

WR284 MEGASEAL



Aluminum Seal Carrier
WR284 CPR Flange Hole Locations
Silicone Compound Seal Material
Double-Ridge Gasket Design
Allows for Gas-Tight Flat/Flat Waveguide Runs
Simplify Layout and Component Re-Use

Improved Reliability
RoHS Compliant
Iridite Conversion Coating
Individually Packaged



WR650 MEGASEAL



Aluminum Seal Carrier
WR650 CPR Flange Hole Locations
Silicone Compound Seal Material
Double-Ridge Gasket Design
Allows for Gas-Tight Flat/Flat Waveguide Runs
Simplify Layout and Component Re-Use
Improved Reliability
RoHS Compliant
Iridite Conversion Coating
Individually Packaged

